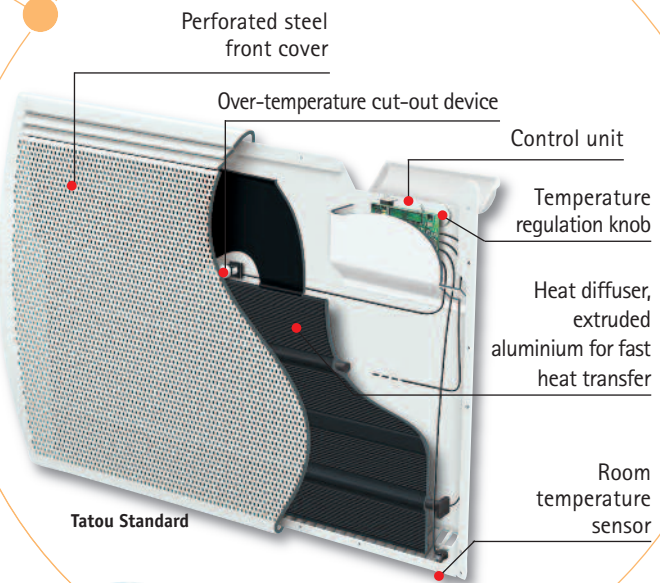
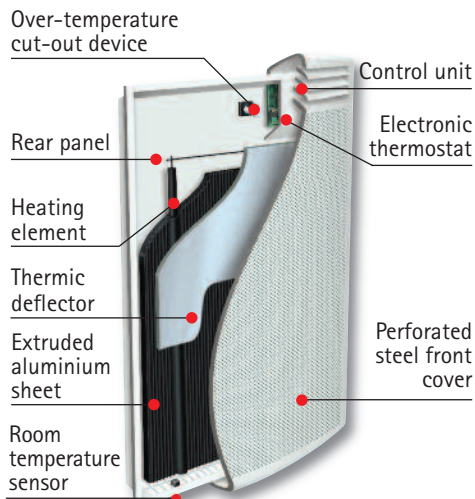


Tatou

Electric heaters



Ratings and dimensions

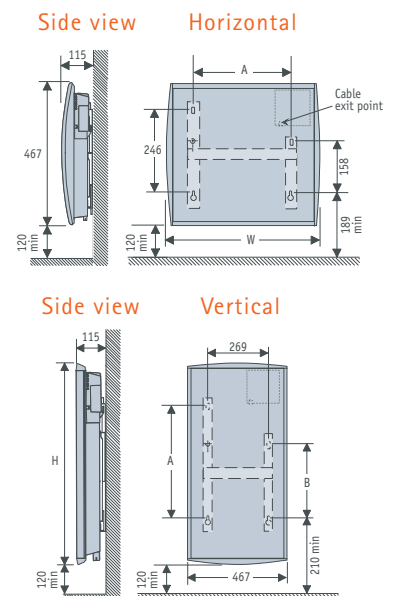
	Rating (W)	Depth* (mm)	Width (mm)	Height (mm)	Weight (kg)	A (mm)	B (mm)
Horizontal	750	115	551	467	6,6	269	-
	1000	115	625	467	7,1	343	-
	1250	115	773	467	8,5	491	-
	1500	115	847	467	9,3	565	-
Vertical	1000	115	467	773	8,5	532	444
	1500	115	467	1069	10,6	828	750
	2000	115	467	1217	13,3	976	888

*Note: Depth dimension includes fixing bracket.



(For other standards, consult us)

www.atlantic-comfort.com



Front views showing bracket position.
Minimum clearances required: 500mm in front and above;
150mm each side.